



### Features

- Wide Input Range
- RoHS Compliance
- Over Voltage Protective Installation
- Over Current Protective Installation
- Over Temperature Protective Installation
- Short Circuit Protective Installation
- LED Indication
- MTBF > 30,000 hours

### EA1062 x Y

**x:** Case type: 1.C14 2.C8 3.C6 6.C18

**Y:** Output type: • U=USB • S=SR

### Electrical Specifications

MODEL No.	MAX. OUTPUT POWER (W)	OUTPUT VOLTAGE (Vo)	MIN. LOAD (Io)	MAX. LOAD (Io)	LOAD REGULATION	LINE REGULATION	RIPPLE & NOISE
EA1062XY	60W	5V	0A	3A	± 5%	± 1%	100mV
		12V					240mV
		20V					360mV

#### NOTE:

1 : Ripple & Noise is measured by using 20MHz bandwidth limited oscilloscope and terminated each output with a 0.1uf ceramic capacitor & parallel with 47uF aluminum capacitor at full load and nominal line.

2 : Line regulation is defined by changing ±10% of input voltage from nominal line at rated load.

3 : Max. Power (W) =  $V_o \times I_o$

### Electrical Specifications

#### INPUT

- Input Range 100 to 240 VAC
- Frequency 50 to 60Hz
- Input Current  $\leq 2.0A$
- Inrush Current  $\leq 100A$  At cold start
- Efficiency Meet CEC Level VI
- Hold Up Time  $\geq 8.3mS$
- Turn On Time  $\leq 3s$

#### OUTPUT

- Over Voltage Protection Auto Recovery
- Short Circuit Protection Auto Recovery
- Over Current Protection Auto Recovery
- Over Temperature Protection Option

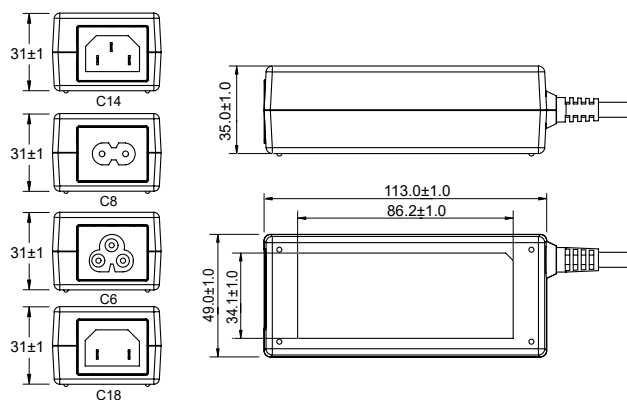
#### ENVIRONMENTAL

- Operating Temperature 0 to 40°C
- Storage Temperature -20 to 85°C
- Storage Humidity 5% to 90 %

#### SAFETY

- UL/CUL, TUV, CB, FCC, CCC, CE

### Mechanical Specification



- Case Size: 108L x 47.5W x 29H (mm)
- AC Inlet: C14, C8, C6, C18
- Weight: 300g